

8 7 6 5 4 3 2 1

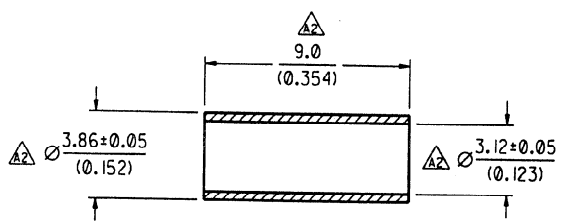
ENG. NO SDA-73100-0248

EDP NO.

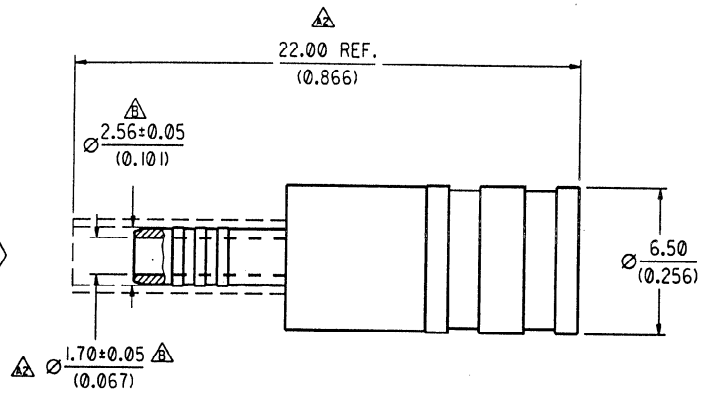
SIMILAR ITEM S1000251.DGN

CADFILE NO. S1000248.DGN

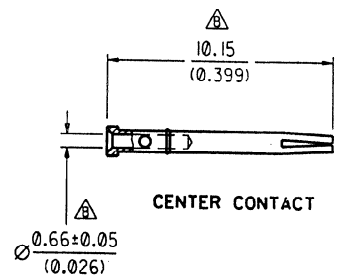
DO NOT SCALE DRAWING



FERRULE



50 OHM SMB ASSEMBLY



CENTER CONTACT

CABLE ATTACHMENT:
 OUTER CONDUCTOR: CRIMP (HEX:3.25)
 CENTER CONDUCTOR: SOLDER USING SN60/PB40
 ASSEMBLY INSTRUCTIONS: AS-73597-0054

CONSTRUCTION:
 BODY -----BRASS
 DIELECTRIC -----TEFLON
 CENTER CONTACT ---BERYLLIUM COPPER
 FERRULE -----BRASS
 RETAINING RING----BERYLLIUM COPPER

FINISH:
 BODY -----GOLD PLATING
 CENTER CONTACT ---GOLD PLATING (FLASH)
 FERRULE -----GOLD PLATING

MECHANICAL AND ELECTRICAL CHARACTERISTICS:
 PER PRODUCT SPECIFICATION PS-73598-0099

PACKAGING:
 INDIVIDUAL PLASTIC BAGS AND BULKPACK

				MATERIAL : SEE NOTES		MOLEX TAIWAN LTD. (R.F. DIVISION)
				FINISH : SEE NOTES		
				SCALE : 5:1	UNIT : mm(INCH)	
B	RELEASE TO MFC	0940	EMILY	96/02/23	DRAWN BY : <i>[Signature]</i>	GENERAL TOLERANCES ANGLE : ± 3° DIM. ± 0.25 (±.01)
A2	CHANGE DIM.	0727	LYNN	96/01/16	95/8/10	DRW. NO.: SDA-73100-0248
A1	Tooling Release	0659	<i>[Signature]</i>	95/08/13	CHK'D BY : <i>[Signature]</i>	REV B
LTR	REVISION RECORD	ECN	DR	DATE	APPR'D BY : <i>[Signature]</i>	TITLE : 50 OHM STRAIGHT SMB PLUG FOR RG174A, 188A & 316 /U CABLE
STANDARD ITEM				<input type="checkbox"/> YES <input checked="" type="checkbox"/> NO		SHEET 1 OF 1

THIS DRAWING CONTAINS INFORMATION THAT IS PROPRIETARY TO MOLEX TAIWAN AND SHOULD NOT BE USED WITHOUT WRITTEN PERMISSION MXT, So - 13